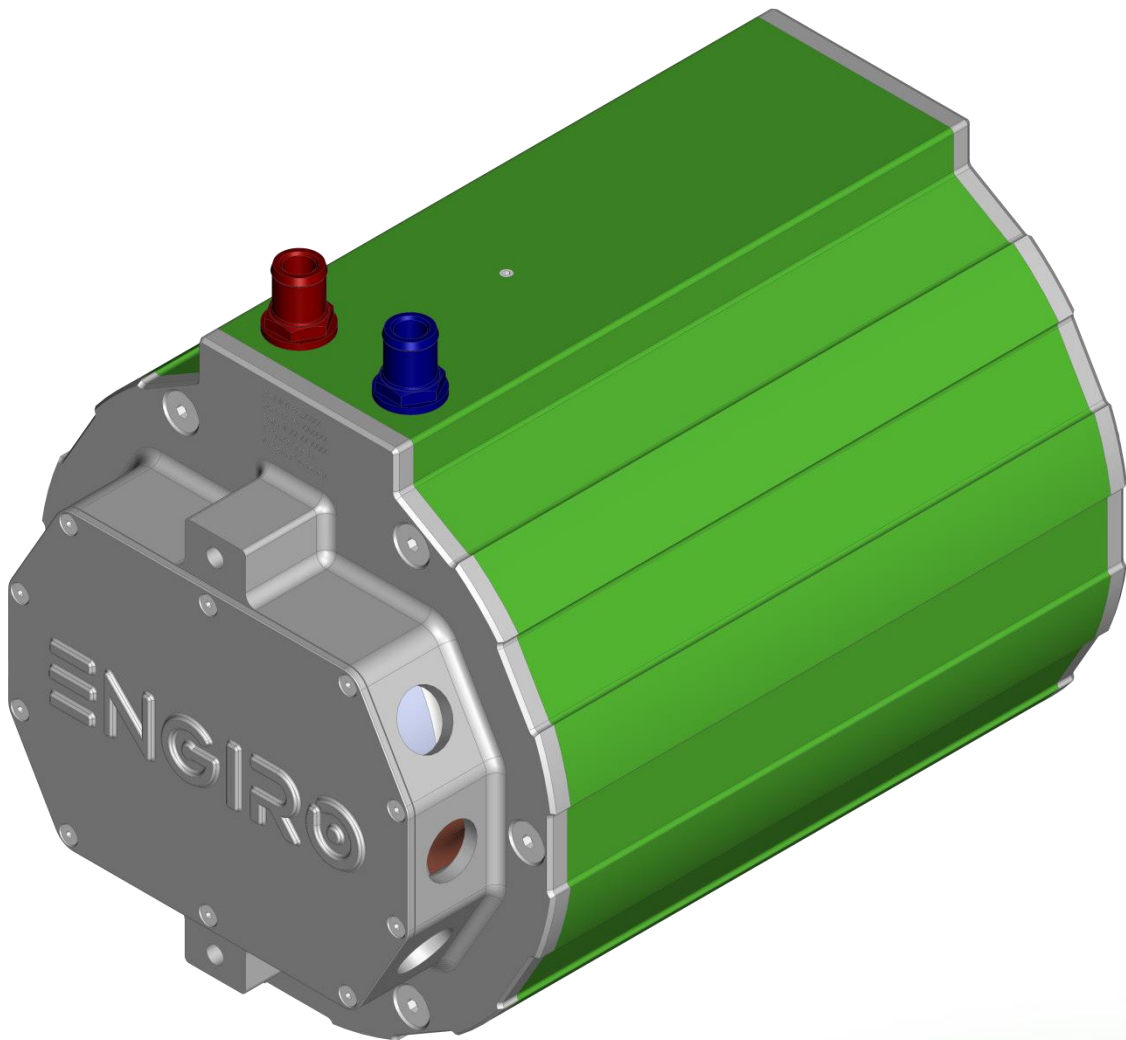


# 205W-16013-ABC

water-cooled motor / generator with up to 103kW continuous power



## KEY FEATURES

- permanent magnet synchronous machine
- water-cooled
- high peak power for motor applications
- convincing cost-benefit ratio
- recommended voltage range from 300V to 850V
- delivery with controller possible
- various mechanical interfaces available

Section	Page
Technical Data Machine	3
Technical Drawings Machine	4
Characteristics Machine	5

Data, including specifications, contained within this document are summary in nature and subject to change at any time without notice and are intended for general information only. Call for latest revision. All brand names and product names referenced are trademarks, registered trademarks, or trade names of their respective holders.

Nominal Operation (S1, cooling as specified below)				
Torque	$T_{nom}$		142	Nm
Power	$P_{nom}$		103	kW
Speed	$n_{nom}$		6840	rpm
Phase rms-current	$I_{nom}$		301 <sup>1,2)</sup>	A
Battery voltage (DC)	$U_{nom}$		400	V
Electric frequency	$f_{el,nom}$		456	Hz
Power factor	$\cos(\varphi)$		0.69	
Maximal Values (S2, 10s, cooling as specified below)				
Torque	$T_{max}$		398	Nm
Power	$P_{max}$		224	kW
Phase rms-current	$I_{max}$		962 <sup>2)</sup>	A
Battery voltage (DC)	$U_{max}$		850	V
Speed	$n_{max}$		8000	rpm
Electric frequency	$f_{el,max}$		533	Hz
Electrical Data				
Number of phases			3	
Number of pole pairs			4	
Maximal efficiency			96	%
$T/I$ constant ( $I < I_{nom}$ )			0.47	Nm/A <sub>rms</sub>
$U/n$ constant (AC) at a temperature of 30°C	rms:	31.7	peak:	53.9 V/(1000rpm)
$K_e$ constant (AC) at a temperature of 30°C	rms:	0.076	peak:	0.129 V/(rad*s <sup>-1</sup> )
Additional Data				
Weight (w/o cables)			see page 4	kg
Rotor moment of inertia			0.0240	kg*m <sup>2</sup>
Protection category			IP6K9K <sup>3)</sup>	
Maximal motor temperature			140	°C
Allowed ambient temperature			-20 ... 45 <sup>4)</sup>	°C
Cooling (medium, flow rate, inlet temperature, pressure)			water/glycol 50/50, 12 l/min, ≤ 45°C, ≤ 0.5 bar	
Temperature monitoring			1 x KTY84-130	
Type approval			CE, EN 60034	
Customs tariff number			8501 5381	
Connectors				
Power terminals			3 x M25 cable gland	
Signal connectors			M16, 10 Pin	
Cooling connectors			2 x 3/4" / 19 mm	

<sup>1)</sup> Nominal current strongly dependent on cooling as specified below.

<sup>2)</sup> The cables must not exceed a temperature of 140 °C at any time. Temperature and service life depend on the installation condition.

<sup>3)</sup> Please note that the IP6K9K rating is only valid if the machine is installed with suitable cable glands and an appropriate sealed interface at the drive side of the motor (flange and/or shaft). Please contact ENGIRO for further questions.

<sup>4)</sup> other range on request

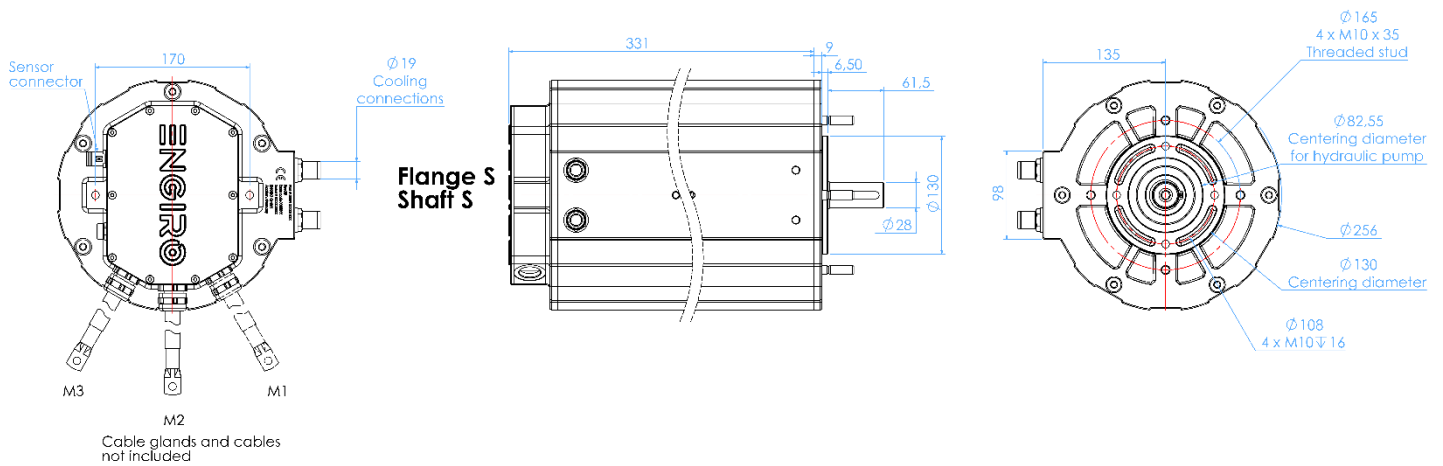
Data, including specifications, contained within this document are summary in nature and subject to change at any time without notice and are intended for general information only. Call for latest revision. All brand names and product names referenced are trademarks, registered trademarks, or trade names of their respective holders.

## Available Type Variants

type number	A: flange	B: shaft	C: position sensor
205W-16013-	S: standard	S: cylindrical shaft with keyway $\varnothing 28\text{mm}$	R: resolver (gain 0.5)
			E: sin/cos encoder
			F: resolver (gain 0.29)

## Approximate machine weight

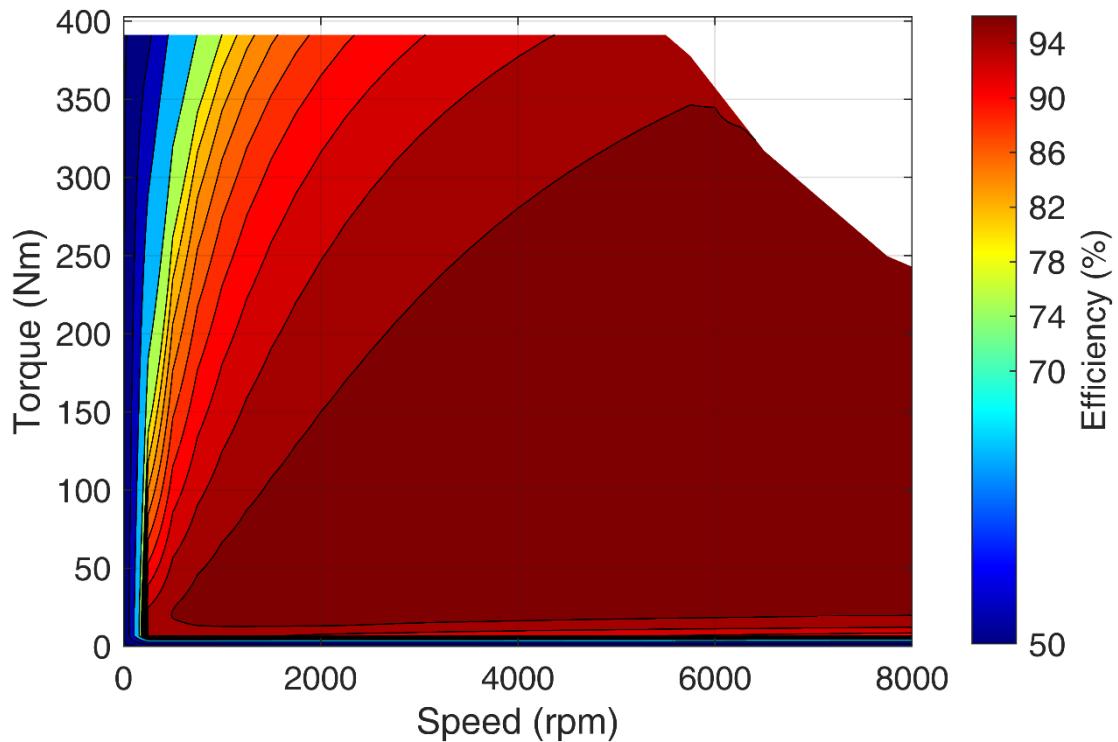
flange	shaft	kg
S	S	55



Data, including specifications, contained within this document are summary in nature and subject to change at any time without notice and are intended for general information only. Call for latest revision. All brand names and product names referenced are trademarks, registered trademarks, or trade names of their respective holders.

## Simulated Efficiency of Motor Application

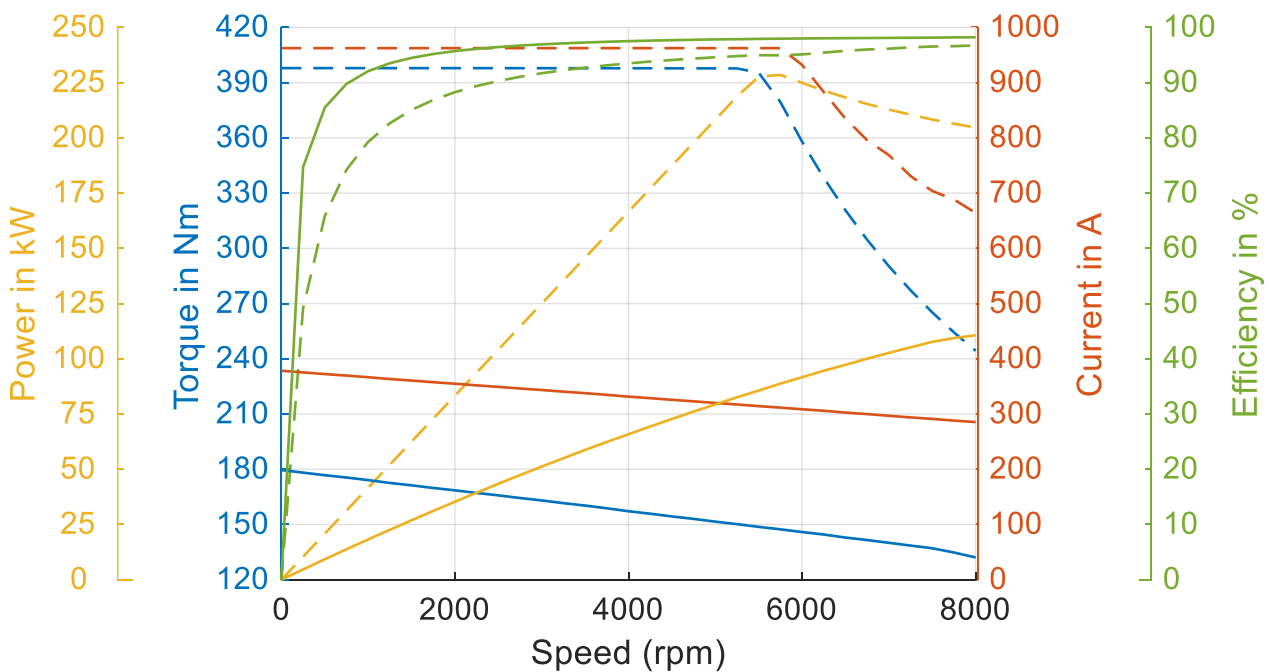
(electric machine only;  $U_{nom} = 400\text{ V}$ ; machine at  $140\text{ °C}$ ;)



## Simulated Characteristic Motor Parameters

$U_{nom} = 400\text{ V}$

solid lines: continuous; dashed lines: maximum;



Data, including specifications, contained within this document are summary in nature and subject to change at any time without notice and are intended for general information only. Call for latest revision. All brand names and product names referenced are trademarks, registered trademarks, or trade names of their respective holders.