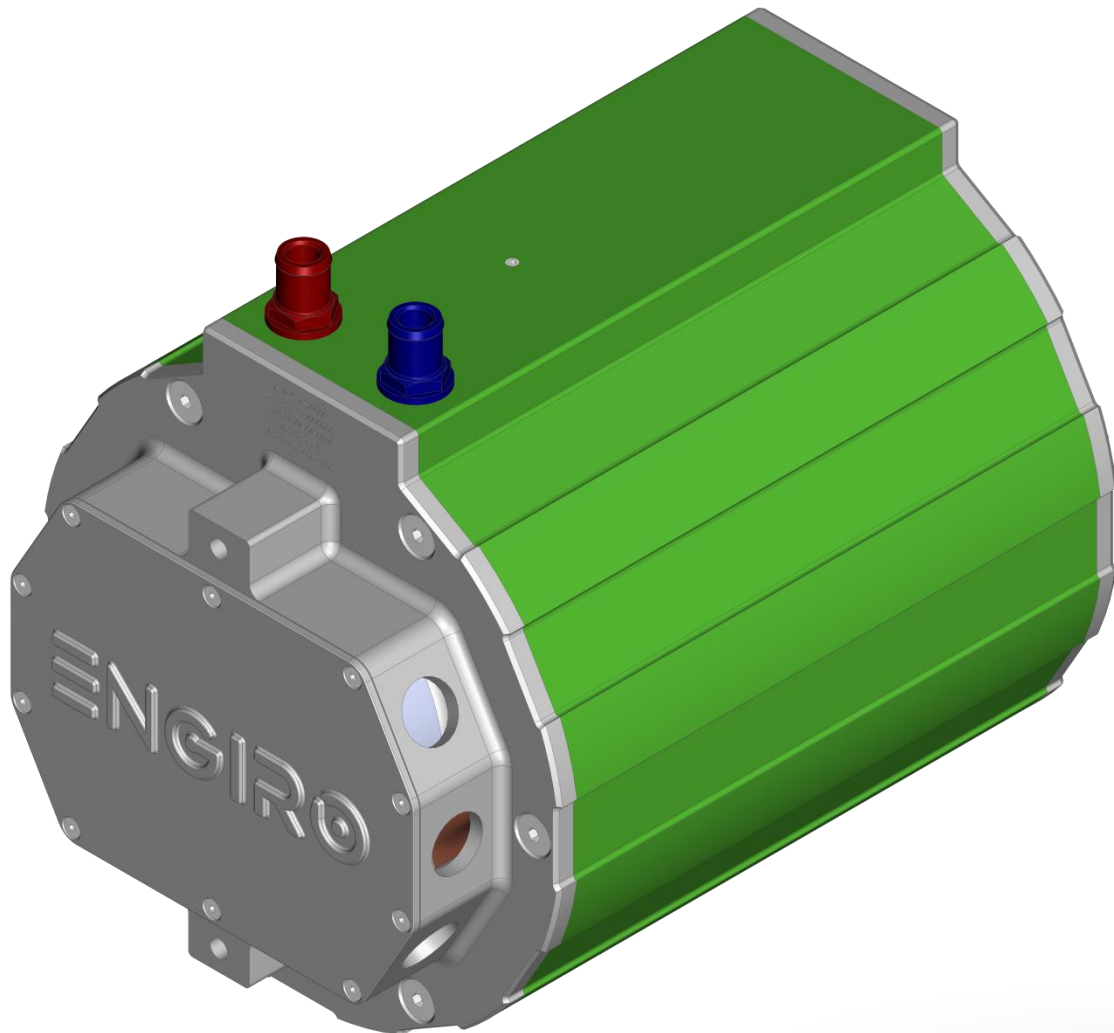


205W-12202-ABC

water-cooled motor / generator with up to 45 kW continuous power



KEY FEATURES

- 6-phase permanent magnet synchronous machine
- water-cooled
- Outstanding peak power at low battery voltage
- recommended voltage range from 96V to 200V
- delivered only as plug-and-play drive set with inverters
- convincing cost-benefit ratio

Section	Page
Technical Data Drive Set	3
Technical Drawings Machine	4
Characteristics Drive Set – 96 V	5
Characteristics Drive Set – 116 V	6

Data, including specifications, contained within this document are summary in nature and subject to change at any time without notice and are intended for general information only. Call for latest revision. All brand names and product names referenced are trademarks, registered trademarks, or trade names of their respective holders.

Nominal Operation (S1, cooling as specified below)				
Torque	T_{nom}		123	Nm
Power	P_{nom}		45	kW
Speed	n_{nom}		3550	rpm
Phase rms-current	I_{nom}		280 ^{1,2)}	A
Battery voltage (DC)	U_{nom}		96	V
Electric frequency	$f_{el,nom}$		237	Hz
Power factor	$\cos(\varphi)$		0.69	
Maximal Values (S2, 10s, cooling as specified below)				
Torque	T_{max}		298	Nm
Power	P_{max}		85	kW
Phase rms-current	I_{max}		782 ²⁾	A
Battery voltage (DC)	U_{max}		200	V
Speed	n_{max}		6500	rpm
Electric frequency	$f_{el,max}$		433	Hz
Electrical Data				
Number of phases			6	
Number of pole pairs			4	
Maximal efficiency			96	%
T/I constant ($I < I_{nom}$)			0.43	Nm/A _{rms}
U/n constant (AC) at a temperature of 30°C	rms:	14.6	peak:	24.8 V/(1000rpm)
K_e constant (AC) at a temperature of 30°C	rms:	0.035	peak:	0.059 V/(rad*s ⁻¹)
Additional Data				
Weight (w/o cables)			47	kg
Rotor moment of inertia			0.0183	kg*m ²
Protection category			IP6K9K ³⁾	
Maximal motor temperature			140	°C
Allowed ambient temperature			-20 ... 45 ⁴⁾	°C
Cooling (medium, flow rate, inlet temperature, pressure)			water/glycol 50/50, 8 l/min, ≤ 45°C, ≤ 0.5 bar	
Temperature monitoring			1 x KTY84-130	
Type approval			CE, EN 60034	
Customs tariff number			8501 5230	
Connectors				
Power terminals			3 x M25 cable gland	
Signal connectors			M16, 10 Pin	
Cooling connectors			2 x 3/4" / 19 mm	

¹⁾ Nominal current strongly dependent on cooling as specified below.

²⁾ The cables must not exceed a temperature of 140 °C at any time. Temperature and service life depend on the installation condition.

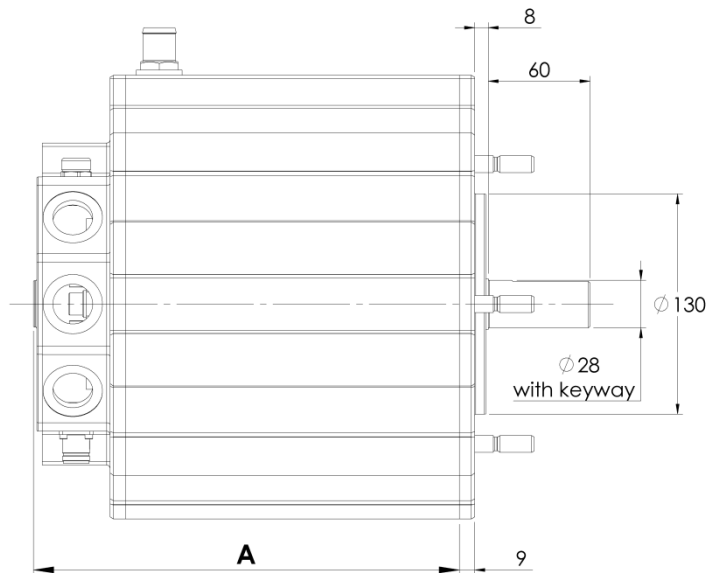
³⁾ Please note that the IP6K9K rating is only valid if the machine is installed with suitable cable glands and an appropriate sealed interface at the drive side of the motor (flange and/or shaft). Please contact ENGIRO for further questions.

⁴⁾ other range on request

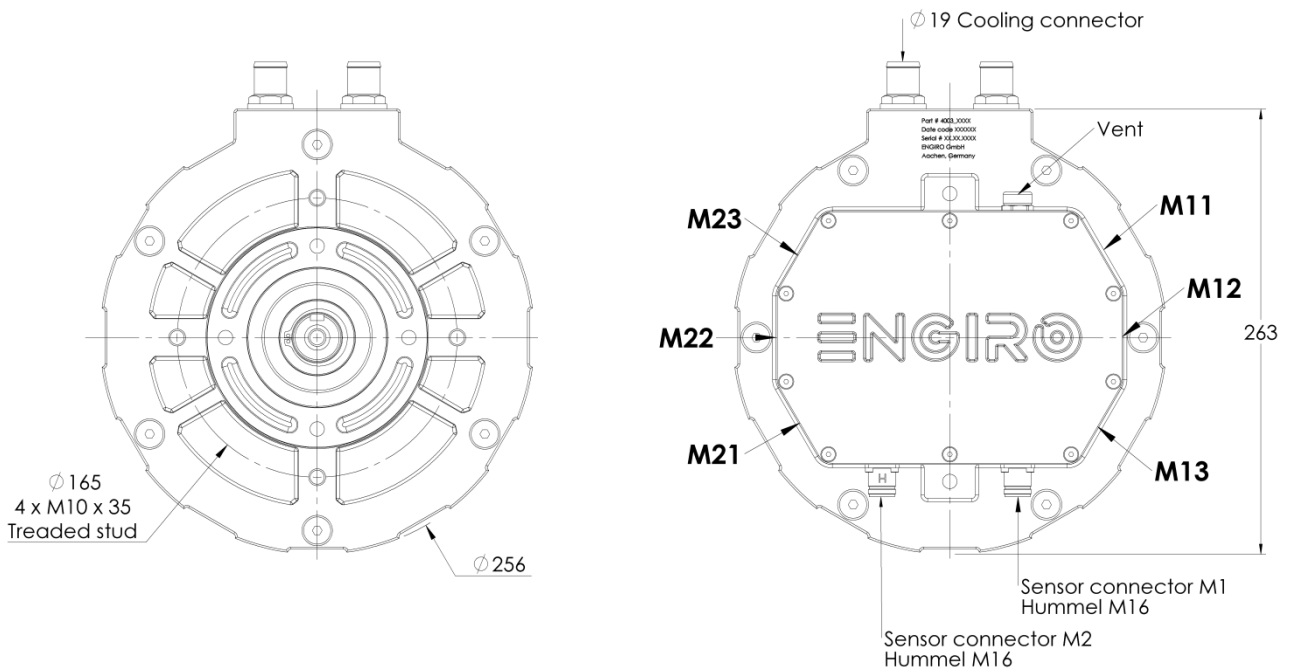
Data, including specifications, contained within this document are summary in nature and subject to change at any time without notice and are intended for general information only. Call for latest revision. All brand names and product names referenced are trademarks, registered trademarks, or trade names of their respective holders.

Available Type Variants

type number	A: flange	B: shaft	C: position sensor
205W-12202-	S: standard	S: cylindrical shaft with keyway $\varnothing 28$ mm	E: sin/cos encoder



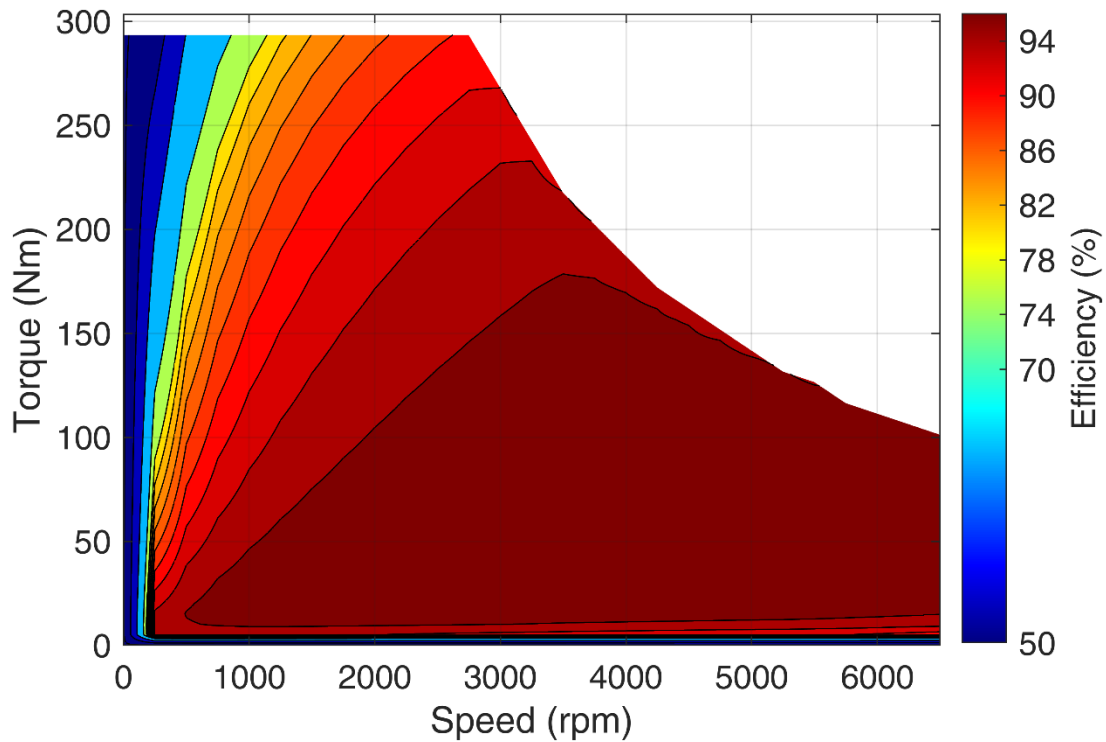
Dimension „A“ = 336 mm



Data, including specifications, contained within this document are summary in nature and subject to change at any time without notice and are intended for general information only. Call for latest revision. All brand names and product names referenced are trademarks, registered trademarks, or trade names of their respective holders.

Simulated Efficiency of Motor Application

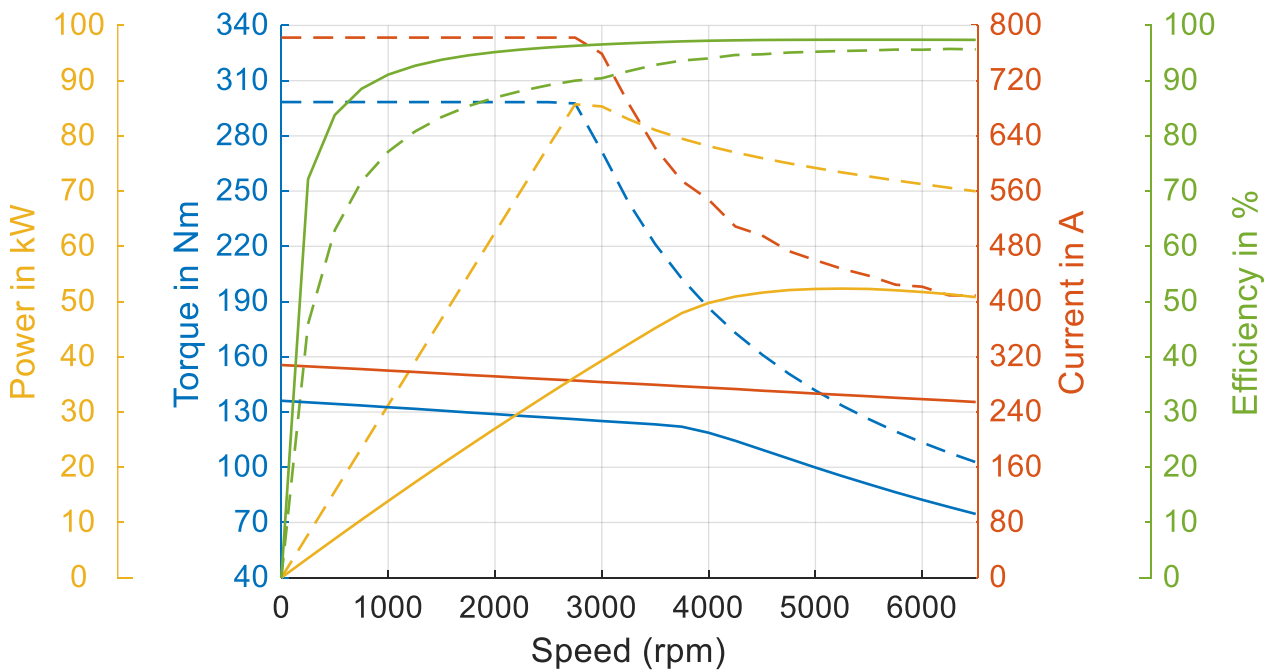
(electric machine only; $U_{nom} = 96\text{ V}$; machine at 140 °C ;)



Simulated Characteristic Motor Parameters

$U_{nom} = 96\text{ V}$

solid lines: continuous; dashed lines: maximum;



Data, including specifications, contained within this document are summary in nature and subject to change at any time without notice and are intended for general information only. Call for latest revision. All brand names and product names referenced are trademarks, registered trademarks, or trade names of their respective holders.