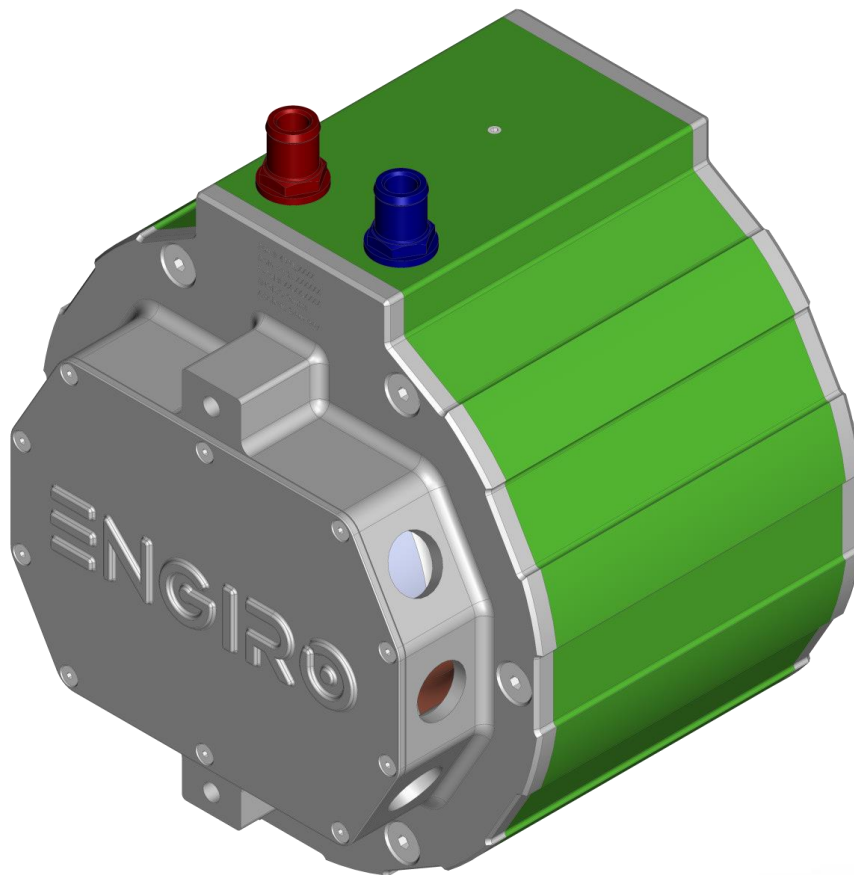


Data Sheet

205W-04191-ABC

water-cooled motor / generator with up to 12 kW continuous power



KEY FEATURES

- permanent magnet synchronous machine
- water-cooled
- high peak power for motor applications
- convincing cost-benefit ratio
- recommended voltage range from 400V to 850V
- delivery with controller possible
- various mechanical interfaces available

Section	Page
Technical Data Machine	3
Table Shaft and Flange Combinations	4
Technical Drawings Machine	5
Characteristics Machine 400V	6
Characteristics Machine 700V	7

Data, including specifications, contained within this document are summary in nature and subject to change at any time without notice and are intended for general information only. Call for latest revision. All brand names and product names referenced are trademarks, registered trademarks, or trade names of their respective holders.

Nominal Operation (S1, cooling as specified below)				
Torque	T_{nom}	40	39	Nm
Power	P_{nom}	7	12	kW
Speed	n_{nom}	1750	3010	rpm
Phase rms-current	I_{nom}	25 ^{1,2)}	24 ^{1,2)}	A
Battery voltage (DC)	U_{nom}	400	700	V
Electric frequency	$f_{el,nom}$	117	201	Hz
Power factor	$\cos(\varphi)$	0.71	0.70	

Maximal Values (S2, 10s, cooling as specified below)				
Torque	T_{max}	94	94	Nm
Power	P_{max}	12	20	kW
Phase rms-current	I_{max}	66 ²⁾	66 ²⁾	A
Battery voltage (DC)	U_{max}		850	V
Speed	n_{max}		6070	rpm
Electric frequency	$f_{el,max}$		405	Hz

Electrical Data				
Number of phases			3	
Number of pole pairs			4	
Maximal efficiency			96	%
T/I constant ($I < I_{nom}$)			1.68	Nm/A _{rms}
U/n constant (AC) at a temperature of 30°C	rms:	116.5	peak:	198.1 V/(1000rpm)
K_e constant (AC) at a temperature of 30°C	rms:	0.278	peak:	0.473 V/(rad*s ⁻¹)

Additional Data				
Weight (w/o cables)			see page 4	kg
Rotor moment of inertia			0.0092	kg*m ²
Protection category			IP6K9K ³⁾	
Maximal motor temperature			140	°C
Allowed ambient temperature			-20 ... 45 ⁴⁾	°C
Cooling (medium, flow rate, inlet temperature, pressure)			water/glycol 50/50, 8 l/min, ≤ 45°C, ≤ 0.5 bar	
Temperature monitoring			1 x KTY84-130	
Type approval			CE, EN 60034	
Customs tariff number			8501 5230	

Connectors				
Power terminals			3 x M25 cable gland	
Signal connectors			M16, 10 Pin Hummel Connector	
Cooling connectors			2 x ¾" / 19 mm	

¹⁾ Nominal current strongly dependent on cooling as specified below.

²⁾ The cables must not exceed a temperature of 140 °C at any time. Temperature and service life depend on the installation condition.

³⁾ Please note that the IP6K9K rating is only valid if the machine is installed with suitable cable glands and an appropriate sealed interface at the drive side of the motor (flange and/or shaft). Please contact ENGIRO for further questions.

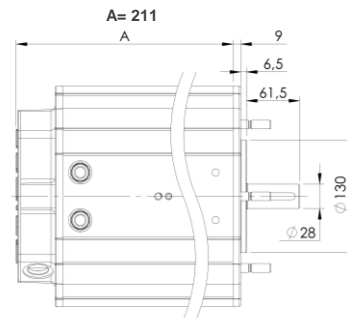
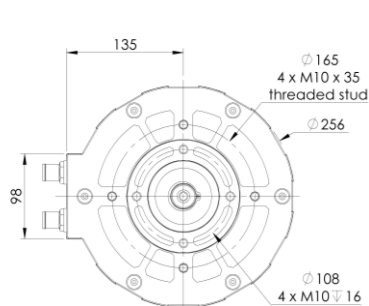
⁴⁾ other range on request

Data, including specifications, contained within this document are summary in nature and subject to change at any time without notice and are intended for general information only. Call for latest revision. All brand names and product names referenced are trademarks, registered trademarks, or trade names of their respective holders.

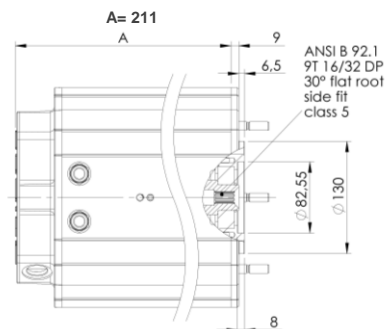
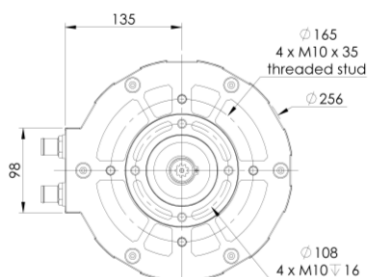
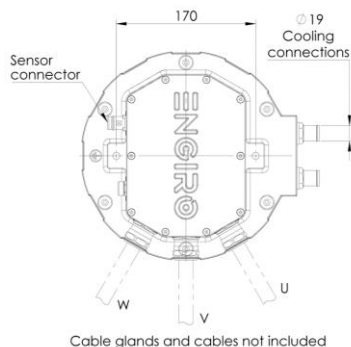
Shaft and Flange Combinations For 205W-04191-ABC		Flange (A)		
		S (Standard)	B (Flange for fan motor)	C (Flange for fan without insert)
Shaft (B)	S (Cylindrical shaft with keyway Ø 28mm)	● (~26kg)		
	C (cylindrical shaft with keyway Ø35mm)		● (~30kg)	
Shaft (B)	D (hollow shaft with internal splines ANSI B 92.1)			● (~29kg)
	H (Hollow shaft with internal splines ANSI B 92.1 9T)	● (~26kg)		
Position Sensor (C)		N: None F: resolver gain 0.29 R: resolver gain 0.5 (Please note: The R resolver is a phase-out version with a 0.5 gain, which is replaced by the F resolver with a 0.29 gain)		

Other individual combinations are also possible on request.

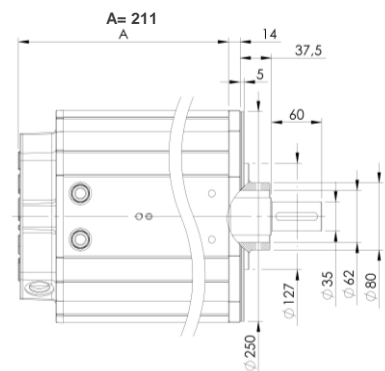
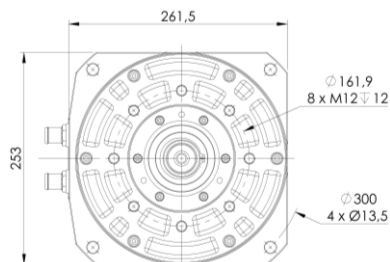
**Flange S
Shaft S**



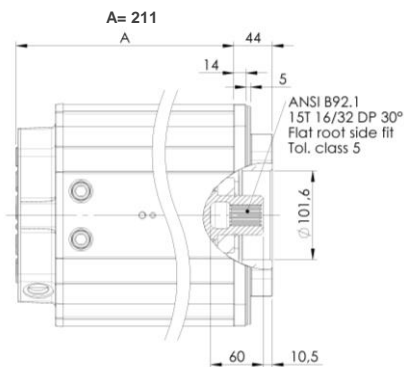
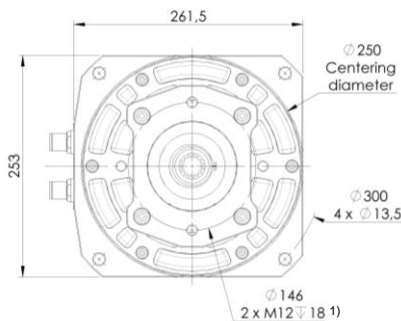
**Flange S
Shaft H**



**Flange B
Shaft C**



**Flange C
Shaft D**

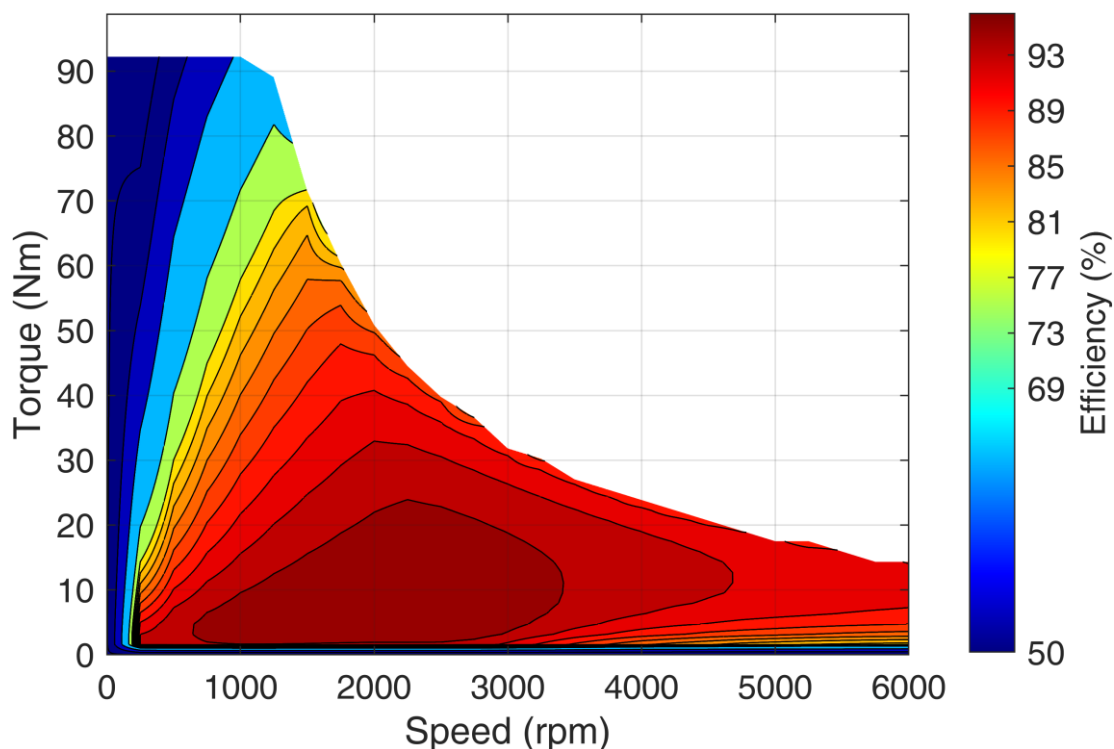


¹⁾ Machines with C-Flange and a revision number smaller than Rev16 have an M14 Helicoil 1,5*D. Revision number is printed on each machine on the rear flange below the water-cooling hose barbs.

Data, including specifications, contained within this document are summary in nature and subject to change at any time without notice and are intended for general information only. Call for latest revision. All brand names and product names referenced are trademarks, registered trademarks, or trade names of their respective holders.

Simulated Efficiency of Motor Application

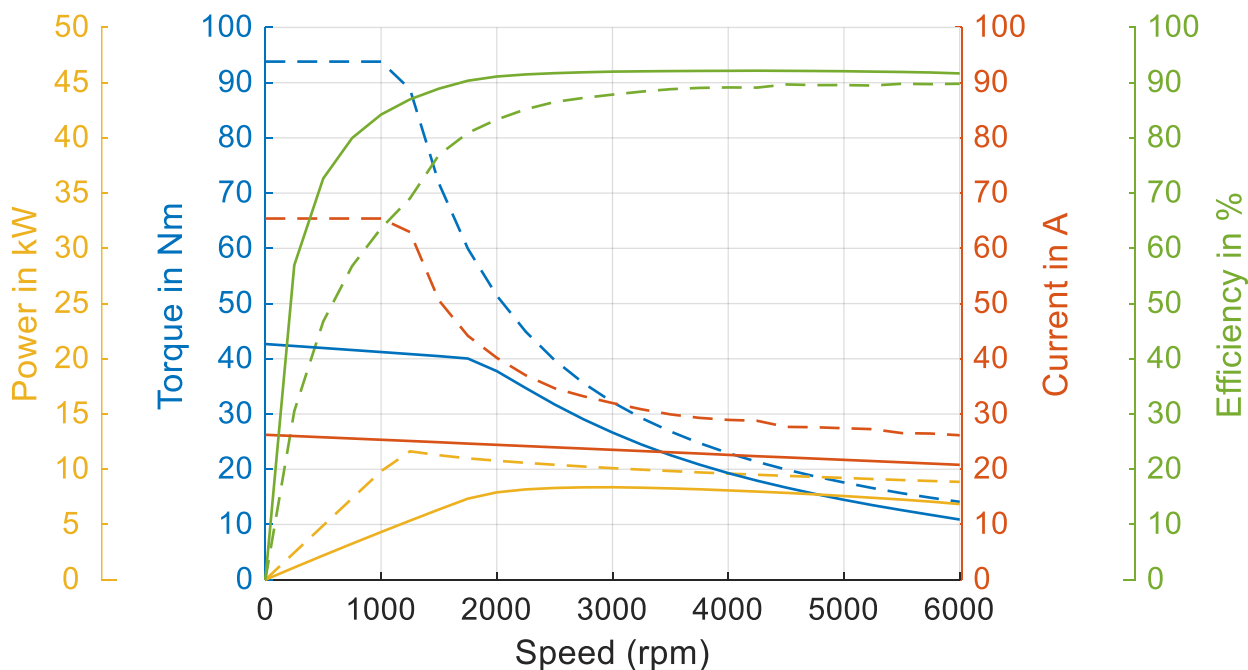
(electric machine only; $U_{nom} = 400\text{ V}$; machine at 140 °C ;)



Simulated Characteristic Motor Parameters

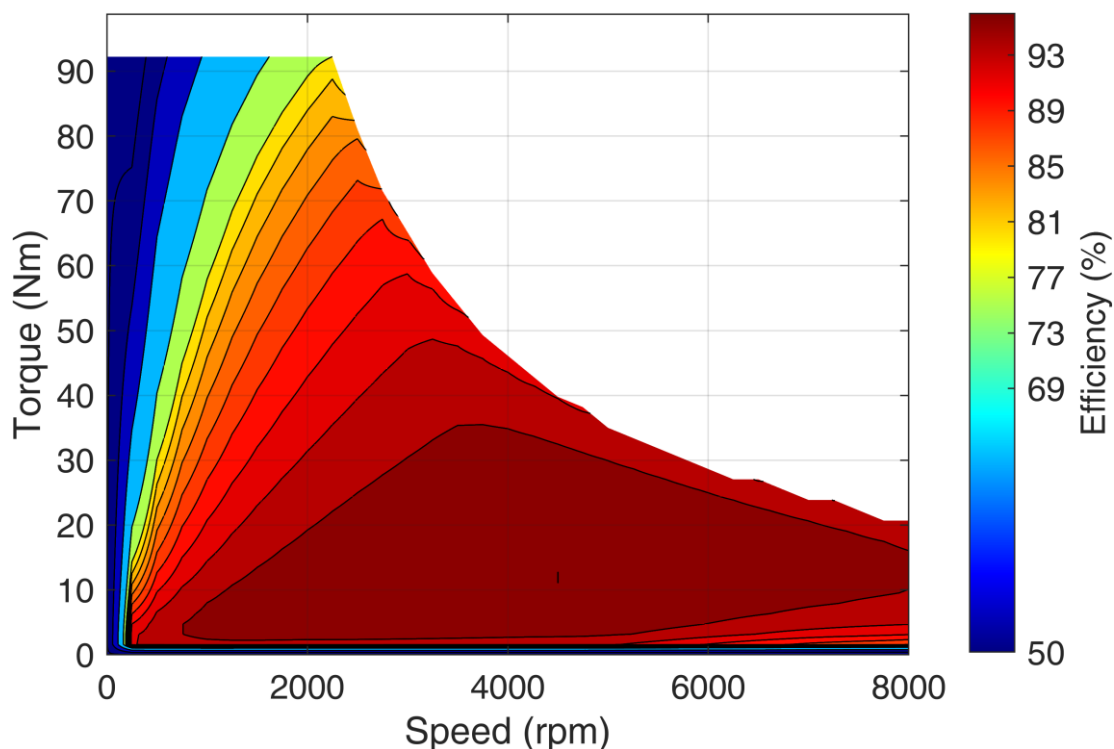
$U_{nom} = 400\text{ V}$

solid lines: continuous; dashed lines: maximum;



Data, including specifications, contained within this document are summary in nature and subject to change at any time without notice and are intended for general information only. Call for latest revision. All brand names and product names referenced are trademarks, registered trademarks, or trade names of their respective holders.

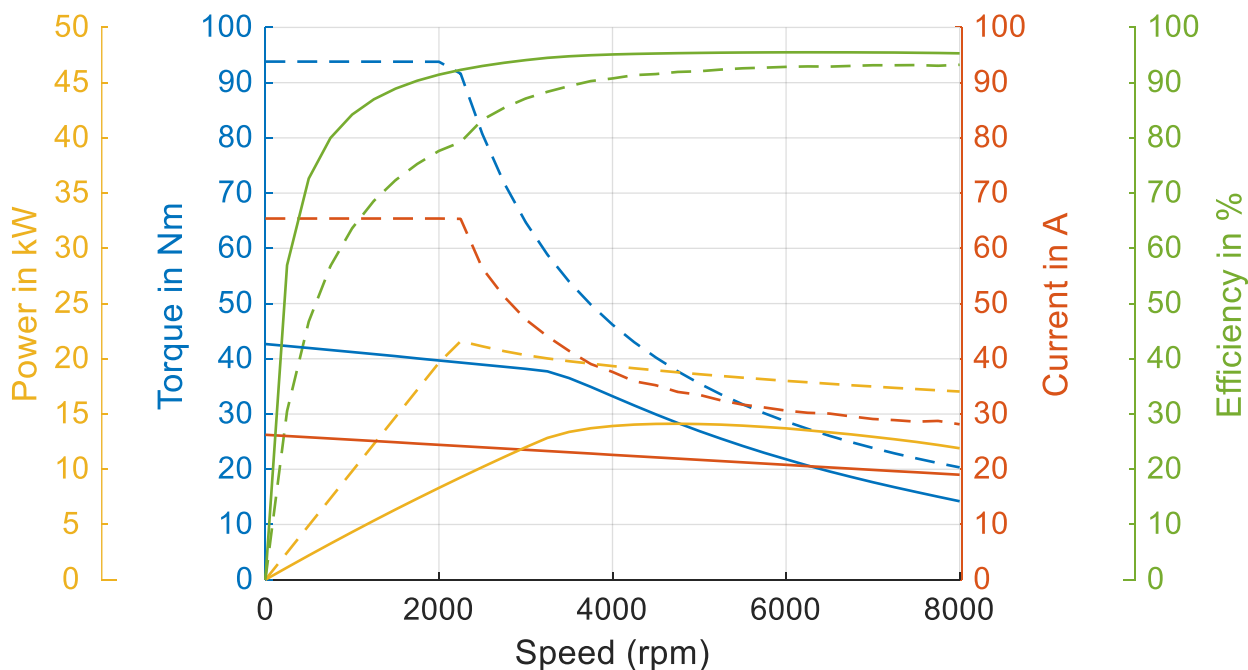
Simulated Efficiency of Motor Application
(electric machine only; $U_{nom} = 700\text{ V}$; machine at 140 °C ;)



Simulated Characteristic Motor Parameters

$U_{nom} = 700\text{ V}$

solid lines: continuous; dashed lines: maximum;



Data, including specifications, contained within this document are summary in nature and subject to change at any time without notice and are intended for general information only. Call for latest revision. All brand names and product names referenced are trademarks, registered trademarks, or trade names of their respective holders.